
Brake Pad Installation Guide

VANFREN Brake Pads · Commercial Vehicles

1. Warnings

1.1

When the friction material thickness of the brake pads falls below 2 mm, they must be replaced immediately.

1.2

If the vehicle is not equipped with a brake pad wear sensor, inspect pad thickness every 10,000 km.

1.3

When replacing brake discs, always replace them as a complete axle set simultaneously.

1.4

For safety reasons, removal and installation of brake pads must be carried out only by qualified technicians.

2. Removal

2.1

Ensure the vehicle is securely supported on jack stands before starting work. Always use the proper tools.

2.2

Using the appropriate tool, loosen and remove the caliper mounting bolts, disassemble the caliper housing, and remove the worn brake pads.

2.3

Thoroughly clean the caliper and carefully inspect it for damage, corrosion, or excessive wear.

2.4

Inspect the brake disc: check its minimum permissible thickness and examine the surface for cracks or deep scoring.

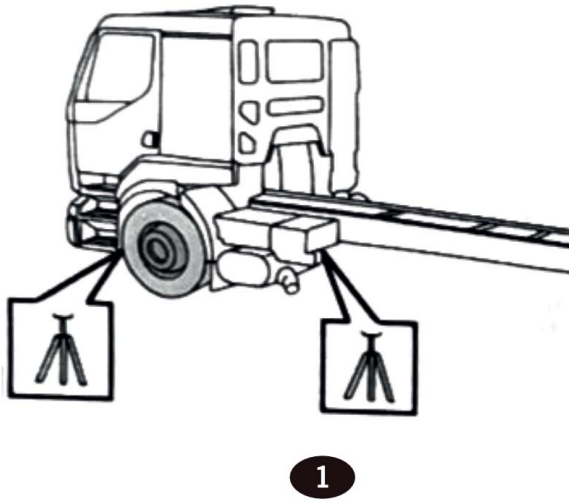


Fig. 1 — Securing the vehicle on jack stands

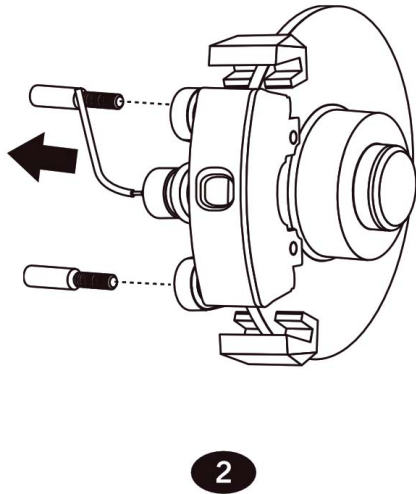


Fig. 2 — Removing the caliper and pads

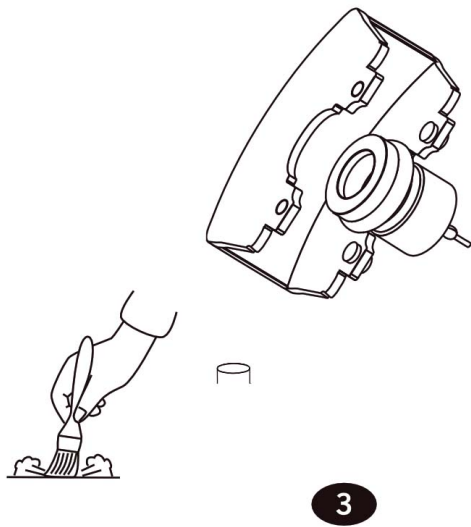


Fig. 3 — Cleaning the caliper

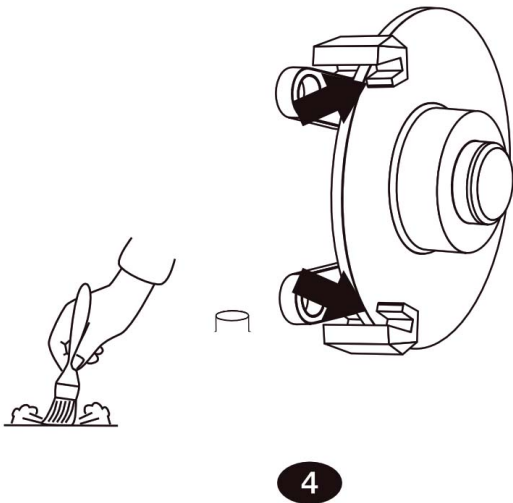


Fig. 4 — Inspecting the brake disc

3. Installation

3.1

Keep grease and other contaminants away from the friction surface of the new brake pads at all times.

3.2

Confirm that the new brake pads are the correct part number for your vehicle model.

3.3

Do not grind, drill, or file the brake pads.

3.4

Ensure that all required shims and springs are correctly fitted before reassembly.

3.5

Reassemble the caliper housing in accordance with the vehicle manufacturer's instructions; torque all bolts to specification.

3.6

After installation, pump the brake pedal several times until normal pedal travel and firm resistance are restored.

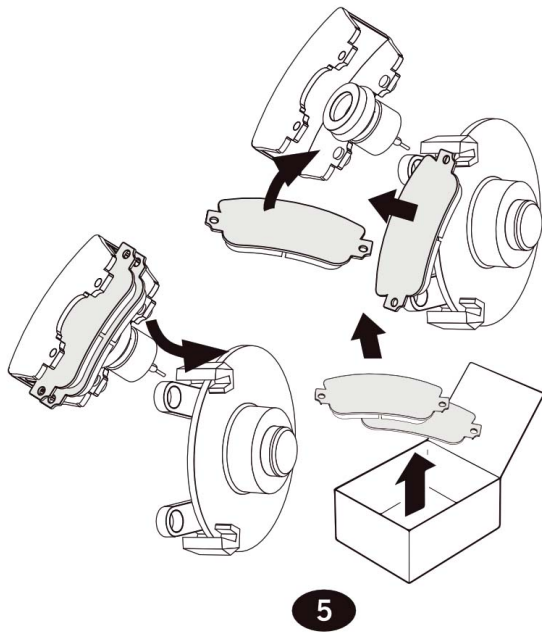


Fig. 5 — Installing new brake pads

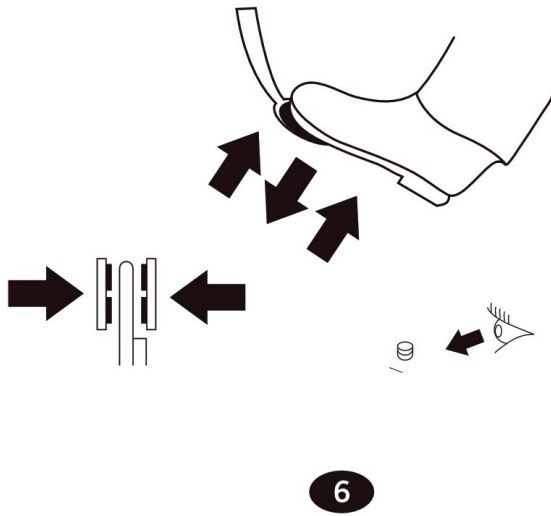


Fig. 6 — Brake pedal check

4. Bedding-In

4.1

Start the vehicle. Accelerate to 60 km/h and apply moderate braking to reduce speed to 20 km/h.

4.2

Repeat the cycle 10-15 times to achieve even contact between the pad friction material and the disc surface.

5. Warranty

5.1

The warranty covers material defects only and does not extend to normal wear and tear.

5.2

The warranty is void in cases arising from improper installation or inadequate maintenance.

Read your vehicle's technical documentation before starting. Observe all applicable safety regulations. © VANFREN